

User Manual

for Grid Kinetic Switches

Product Range: CUL 42495 CUL 42496
 CUL 42497 CUL 42498
 CUL 42499 CUL 42500
 CUL 42501 CUL 42502

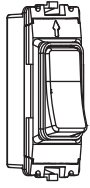
v1.0.7



This product should be disposed of responsibly at the end of its life. Please recycle where facilities exist. Check with your Local Authority or retailer for recycling advice (Waste Electrical and Electronic Equipment Directive)

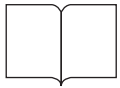
A. What is in the box ?

1 Gang



x 1

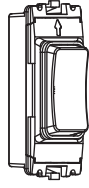
KSMK-1G



x 1

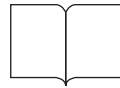
or

2 Gang



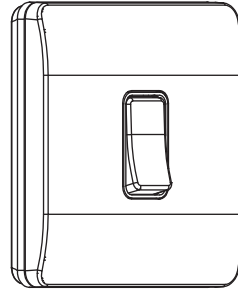
x 1

KSMK-2G

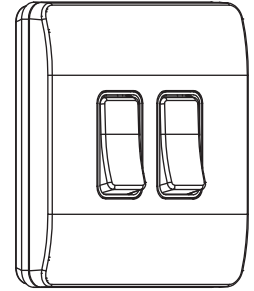


x 1

Frame (Order seperately)



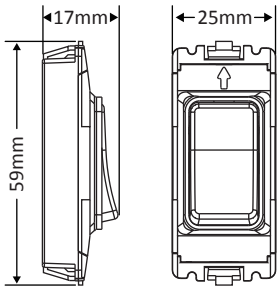
KFMK-01



KFMK-02

B. Specifications And Installations

Dimensions:



Power Source:

Self Powered (Kinetic)

Radio Frequency:

433 MHz

Switching Type:

Push Switch

Dimming Type:

Push Selected

IP Rating:

IP20

Body Material:

Polycarbonate

Weight:

24g

Transmission Range:

Outdoor 100m (no barrier)

Indoor 30m (plaster board; drywall)

Indoor 15m (concrete, glass walls)

(Range may vary depending on surrounding situation)



Install on or close to metal surface would decrease the transmission range significantly. Suggest to keep away from metal surface at least 1m to get the best performance.

UK
CA

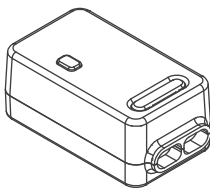


CE

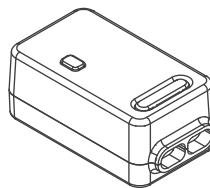
RoHS



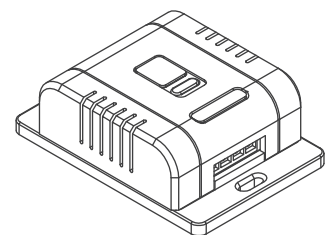
C. Compatible Receiver (Order seperately.)



ON / OFF Receiver



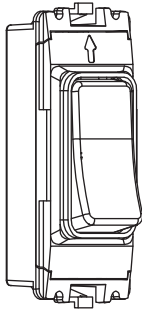
ON / OFF Receiver
Tuya Wifi (2.4G)



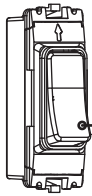
Dimmer Receiver
Tuya Wifi (2.4G)

D. Operation

1 Gang

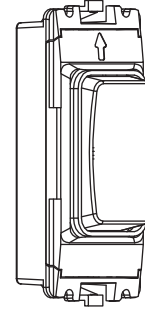


ON / OFF Switch



Single press to
turn on / off

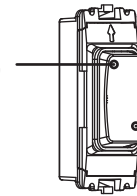
2 Gang



Dimmer or 2 Gang
ON / OFF Switch
(Dimmer function only work
with Dimmer receiver)

①

Press once to dim,
Press again to set
brightness.

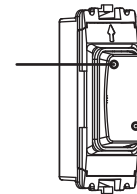


Single press to
turn on / off

or

②

1 Gang Press to
turn on / off

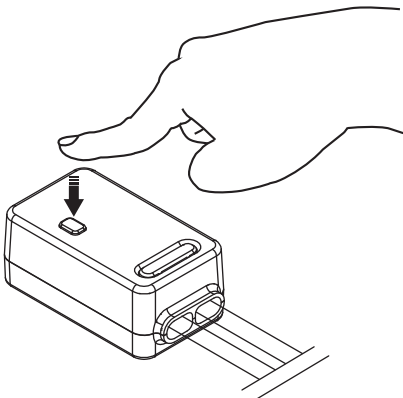


2 Gang press to
turn on / off

E. Pairing with Receiver

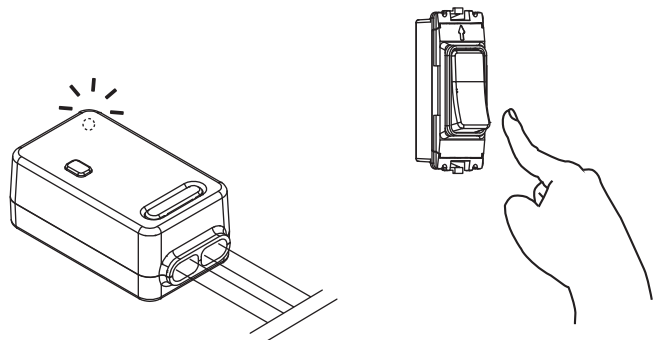
Pairing to Receiver - Standard method

(a)



Press the Pairing Key for 3-4s,
until the RED indicator flash slowly.

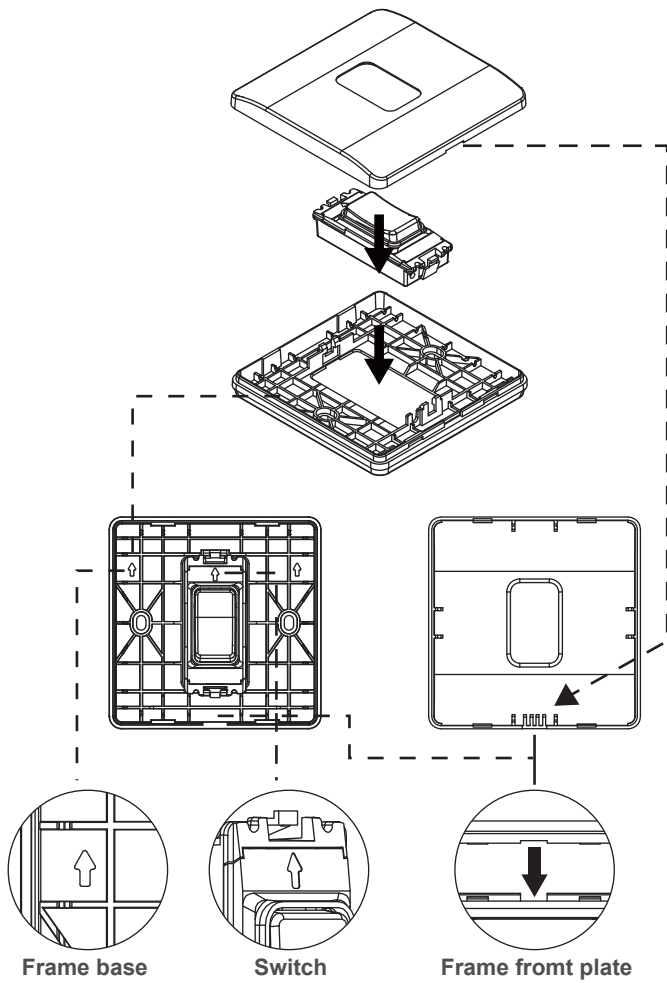
(b)



While the indicator on receiver flashes,
press the Kinetic switch ONCE to complete the pairing.

F. Installations

Installation 1:



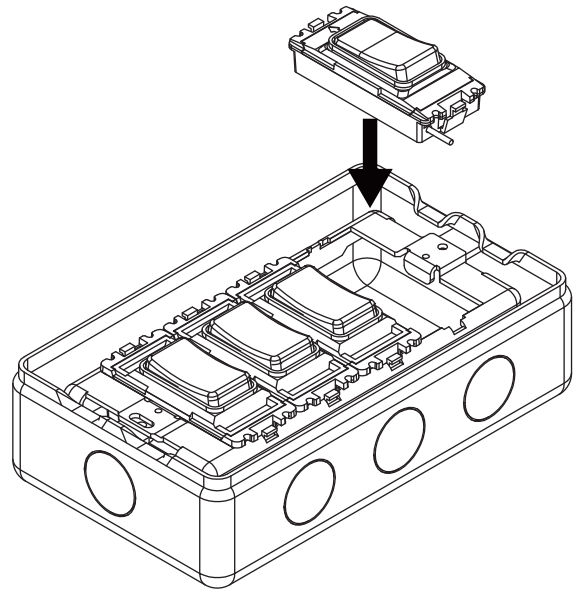
Frame base

Switch

Frame front plate

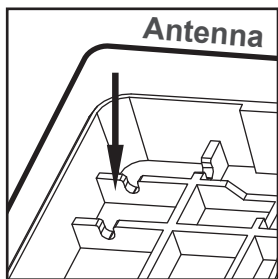
Arrow pointing upwards

Installation 2:

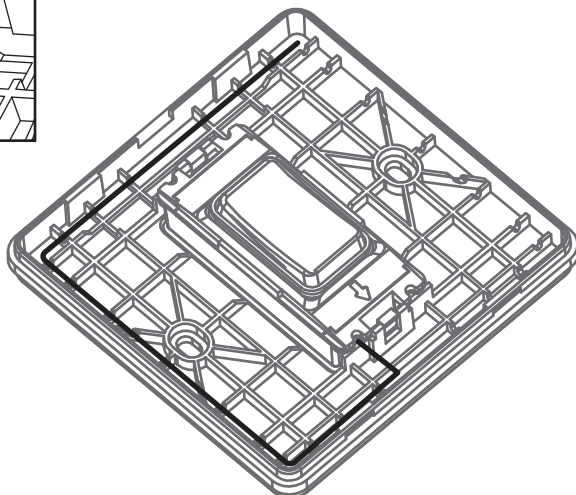


Compatible with MK Grid System

Antenna Installation



Antenna



Company Details

Helpline

If you receive this item with parts broken or missing, please telephone: **0333 0050077**. Please have ready your name, address, tel. no., product reference, where purchased and parts required. An answering service is in operation outside office hours and during busy periods. ***We regret that we are unable to give advice on internal house wiring.***

Cascade Holdings Ltd, Gorse Mill, Gorse Street, Chadderton, Oldham. OL9 9RJ

EU Authorised Representative:
Authorised Rep Compliance,
Ground Floor, 71 Lower Baggot Street, Dublin, Ireland, D02P593

